



Hebei Haorui International Trading Co.,Ltd.  
河北豪瑞国际贸易有限公司

## About us

Hebei Haorui International Trading Co.,Ltd is a professional supplier of toilet seats and bathroom accessories. From our establishment we have more than 10 years of experience in exporting all kinds of toilet seats. Europe and America are our current main markets and we look forward to start cooperation with more customers in whole world.

We cover a wide range of toilet seats, duroplast toilet seat, polyresin toilet seat, PP toilet seat, MDF toilet seat, molded toilet seat, wood/bamboo toilet seat and duroplast bathroom accessories. Uni colors and colorful modern designs are available. All of our products are made of ECO friendly material and they can pass testing according to European and American standards.

If you are looking for toilet seats of excellent quality, great service, quick response and competitive price, we will be your first choice.



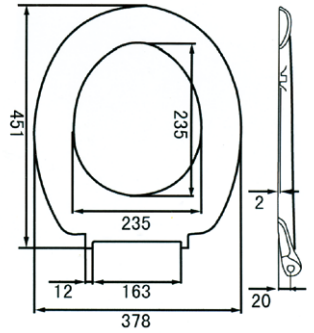
Duroplast toilet seat



HR-H17



HR-H11



HZ-A00



HZ-C00



HZ-N00



HZ-F02



HZ-11



HC-002



HZ-R002



HZ-US01



HJ-06



HZ-U001



HZ-V00



HZ-LED

Duroplast toilet seat



HZ-Y02



HR-P006



HR-Colored



HR-P001



HR-P002



HR-P003



HR-P004



HR-3D001



HR-P005



HR-P007



HR-P008



HR-P009

**PP** toilet seat



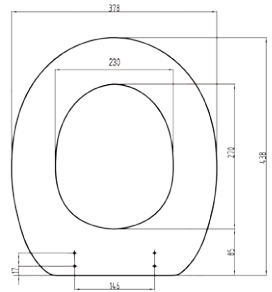
MDF toilet seat



HR-H07



HR-H15



HR-MDF-01



HR-MDF-02



HR-MDF-03



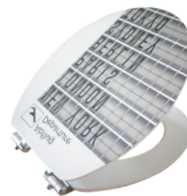
HR-MDF-04



HR-MDF-05



HR-MDF-06



HR-MDF-07



HR-MDF-08



HR-MDF-09



HR-MDF-10



HR-MDF-11



HR-MDF-3D



### Molded toilet seat



HR-MD-01



HR-MD-02



HR-MD-24



HR-MD-31



HR-MD-19



HR-MD-10



HR-MD-20



HR-MD-02



HR-MDP-01



HR-MDP-02



HR-MDP-03



HR-MDP-04



HR-MDP-05



HR-MDP-06



HR-MDP-07



HR-MDP-08

Polyresin toilet seat



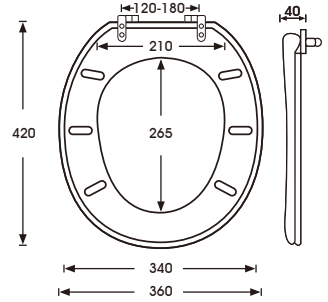
HR-PR-S001



HR-H07



HR-H15



Size: 420\*360  
Weight: 3320g ± 50g



HR-Silver-001



HR-Gold-002



HR-Black-003



HR-Sand-004



HR-Red Coral-005



HR-Flower-006



HR-Pearl-007



HR-Pearl-008



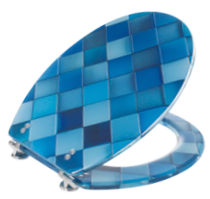
HR-PA-009



HR-PA-010



HR-PA-011

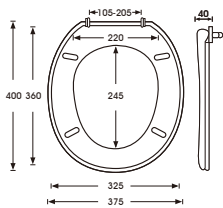


HR-PA-012





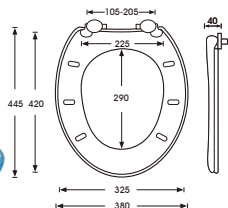
HR-US-1701



Size: 400\*375  
Weight: 3250g ± 50g



HR-US-1901



Size: 445\*380  
Weight: 3300g ± 50g



HR-US-1702



HR-US-1703



HR-US-1704



HR-EU-1801

Wood / bamboo toilet seat



HR-WP-01



HR-WB-19



HR-WB-17



HR-PV-18



HR-PV-20



HR-WP-11



HR-WV-21



HR-WB-22



HR-WO-23

## Hinge Accessories



HR-H01



HR-H02



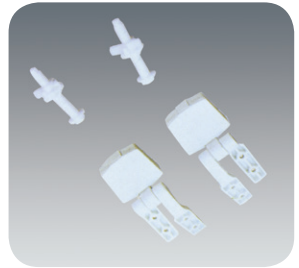
HR-H03



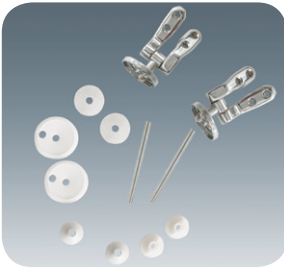
HR-H04



HR-H05



HR-H06



HR-H07



HR-H08



HR-H09



HR-H10



HR-H11



HR-H12

## Hinge Accessories



HR-H13



HR-H14



HR-H15



HR-H16



HR-H17



HR-H18



HR-BC-01



HR-BC-02



HR-BC-03



HR-BC-04



HR-W01



HR-W02



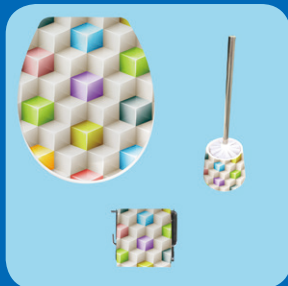
HR-M-118



HR-TS01



HR-TS02



HR-TS03



HR-TS04



HR-TS05



HR-TS06



HR-TS07



HR-TS08



HR-TS09



**HEBEI HAORUI INTERNATIONAL TRADING CO.,LTD.**  
**河北豪瑞国际贸易有限公司**

Add: 13F, Block A, Zhongliang Plaza, No.345 Youyi North Street, Shijiazhuang, Hebei China 050061

Tel.: +86-311-68001050

Fax: +86-311-68001033

Email: [elaine@hebei-haorui.com](mailto:elaine@hebei-haorui.com)

[info@hebei-haorui.com](mailto:info@hebei-haorui.com)

<http://www.hebei-haorui.com>